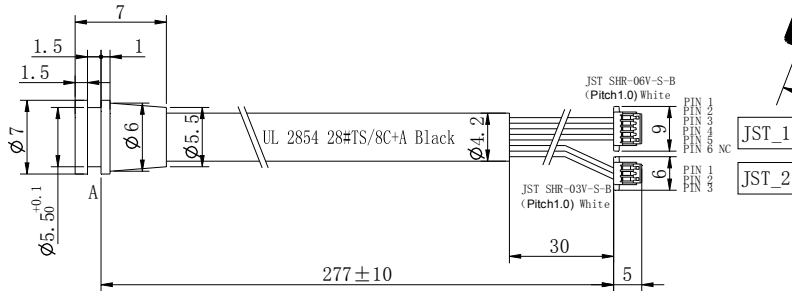
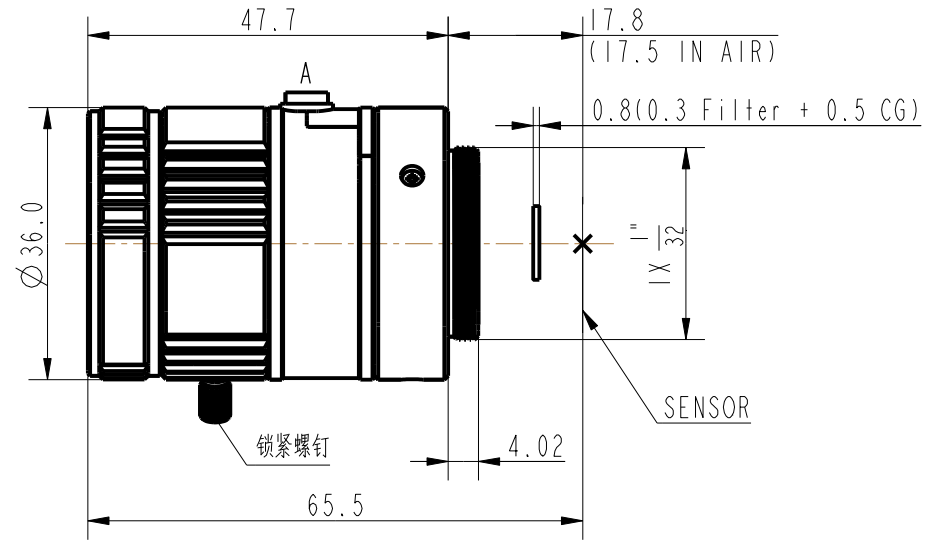
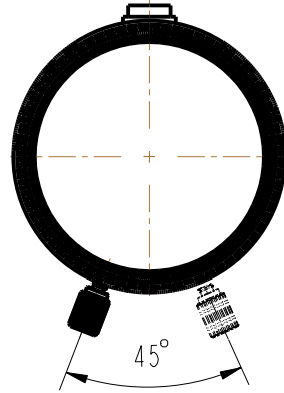


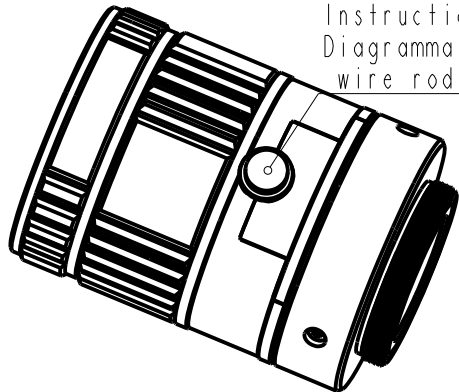
LV25C SPECIFICATION

NO.	ITEM	CONTENT
1	SENSOR	2/3" & CMOS
2	EFL	25mm
3	F/NO	4.0-C
4	TTL	65.5±0.2mm
5	MOUNT	C
6	FOCUS	Manual
7	FOV	25.6° (Y=5.7mm)
8	Aperture	Fix
9	MAX IMAGE CIRCLE	∅11.4mm



Drawing of wire (线材图)
A at the left and A at the line is the same place
(左端面A处与镜头上A处为同一处)

Instruction (说明):
Diagrammatic sketch of wire rod (线材简图)



3			Update the wire drawing	2016.01.28	
2			Update the wire drawing	2015.07.06	
1			Update the wire drawing	2015.05.05	
0			新规作成	2015.04.10	
Mark (标记)	Number (处数)	Position (区域)	Changes (更改内容)	Undertake (担当)	Time (时间)
Admit (承认)	Review (审核)	Design (设计)	Drafting (制图)	Model No. (机种编号)	
				LV25C	

江西高瑞光电股份有限公司

Scale (比例)	3:2		Page (页码)	1/1
------------	-----	--	-----------	-----

注：法令、法规禁止物质使用不可；含有与ROHS及REACH指令抵触物质使用不可。

LV25C-001

A3